

## Modular Cooking Range Line EVO900 Half Module Gas PowerGrill Top HP

ITEM # \_\_\_\_\_

MODEL # \_\_\_\_\_

NAME # \_\_\_\_\_

SIS # \_\_\_\_\_

AIA # \_\_\_\_\_



392219 (Z9GRGDGC0P)

Gas grill top, half module - hp

### Short Form Specification

**Item No.** \_\_\_\_\_

To be used with natural or LPG gas. High efficiency 11 kW stainless steel burners with self stabilizing flame. Cooking surface grids in cast iron, easily removable for cleaning. Stainless steel AISI 441 deflective shields below radiants avoid burner clogging. Includes drip tray for the collection of grease and fat. Exterior panels of unit in stainless steel with Scotch Brite finish. Extra strength work top in heavy duty 2 mm stainless steel. Right-angled side edges to allow flush-fitting junction between units.

### Main Features

- Stainless steel AISI441 burners with self stabilizing flame.
- Burners are protected by AISI441 stainless steel deflector reaching approx. 700°C; top and side radiant plates distribute evenly the heating power while protecting the deflector from direct contact with the dripping fat, thus reducing flare ups (PATENT US9591947B2 and related family).
- Cooking grid reaching temperatures up to 350°C.
- Full-depth grease collection drawer, with hole to indicate when full, to collect residual cooking grease and fat. Can be filled-up with water for vapor-emission effect.
- Stainless-steel removable splash guards on the rear and sides
- All components (deflector, radiant plates, cooking grids, splash guards) can be dismantled for cleaning purposes.
- "Power Control" exclusive function: control knob allows fine-tuning of the power on a 240° rotation range between max and min, to optimize consumption while perfectly adapting to the food being cooked.
- "Stand-by" position on the control knob allows minimizing power consumption during non-peak periods, while allowing a fast recovery at the moment of need.
- The special design of the control knob system guarantees against water infiltration.
- Cooking grids made in highly resistant enameled cast iron for easy cleaning.
- Suitable for countertop installation.

### Construction

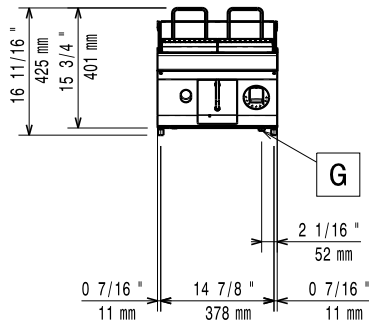
- All exterior panels in Stainless Steel with Scotch Brite finishing.
- AISI 304 stainless steel worktop, 2mm thick.
- Side and rear panel in AISI 304 stainless steel.
- Model has right-angled side edges to allow flush fitting joints between units, eliminating gaps and possible dirt traps.
- All the functional components are accessible via the front of the appliance.
- Unit is 900mm deep to give a larger working surface area.

APPROVAL: \_\_\_\_\_

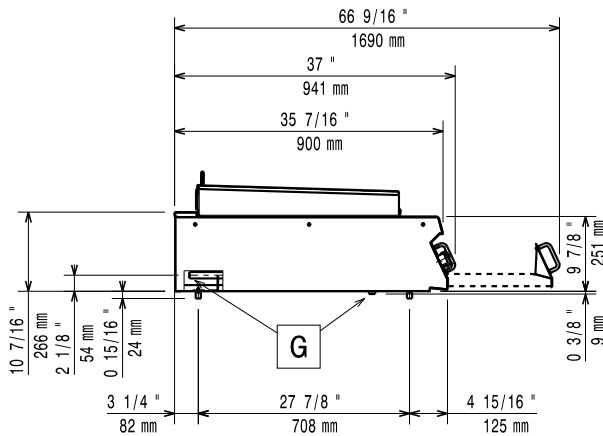
### Optional Accessories

- |  |            |                          |
|--|------------|--------------------------|
| • Junction sealing kit   | PNC 206086 | <input type="checkbox"/> |
| • Support for bridge type installation, 800 mm                             | PNC 206137 | <input type="checkbox"/> |
| • Support for bridge type installation, 1000 mm                            | PNC 206138 | <input type="checkbox"/> |
| • Support for bridge type installation, 1200 mm                            | PNC 206139 | <input type="checkbox"/> |
| • Support for bridge type installation, 1400 mm                            | PNC 206140 | <input type="checkbox"/> |
| • Support for bridge type installation, 1600 mm                            | PNC 206141 | <input type="checkbox"/> |
| • Support for bridge type installation, 400 mm                             | PNC 206154 | <input type="checkbox"/> |
| • Side handrail for right/left hand  | PNC 206165 | <input type="checkbox"/> |
| • Frontal handrail 400 mm  | PNC 206166 | <input type="checkbox"/> |
| • Frontal handrail 800 mm  | PNC 206167 | <input type="checkbox"/> |
| • Large handrail (portioning shelf) 400 mm                                 | PNC 206185 | <input type="checkbox"/> |
| • Large handrail (portioning shelf) 800 mm                                 | PNC 206186 | <input type="checkbox"/> |
| • Frontal handrail 1200 mm   | PNC 206191 | <input type="checkbox"/> |
| • Frontal handrail 1600 mm   | PNC 206192 | <input type="checkbox"/> |
| • Chimney upstand, 400 mm  | PNC 206303 | <input type="checkbox"/> |
| • 2 side covering panels, height 250 mm, depth 900 mm                      | PNC 206321 | <input type="checkbox"/> |
| • Scraper kit with hooks for HP grills (EVO700/900)                        | PNC 206347 | <input type="checkbox"/> |
| • Kit G.25.3 (NI) gas nozzles for 700 and 900 gas grills (standard and HP) | PNC 206462 | <input type="checkbox"/> |
| • Pressure regulator for gas units   | PNC 927225 | <input type="checkbox"/> |

**Front**

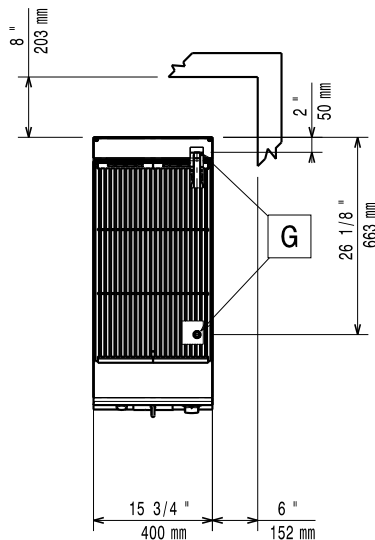


**Side**



EQ = Equipotential screw  
G = Gas connection

**Top**



**Gas**

Gas Power:	10.5 kW
Standard gas delivery:	Natural Gas G20 (20mbar)
Gas Type Option:	LPG; Natural Gas
Gas Inlet:	3/4"

**Key Information:**

External dimensions, Width:	400 mm
External dimensions, Depth:	900 mm
External dimensions, Height:	250 mm
Net weight:	60 kg
Shipping weight:	65 kg
Shipping height:	400 mm
Shipping width:	460 mm
Shipping depth:	1020 mm
Shipping volume:	0.19 m <sup>3</sup>
Certification group:	N9EGG
Cooking surface width:	371 mm
Cooking surface depth:	644 mm

If appliance is set up or next to or against temperature sensitive furniture or similar, a safety gap of approximately 150 mm should be maintained or some form of heat insulation fitted.